



D100S/D120S/D140S/D160S-7

7 SERIES FORKLIFTS

Pneumatic Tire Diesel

22,000 lb. to 36,000 lb. Capacity



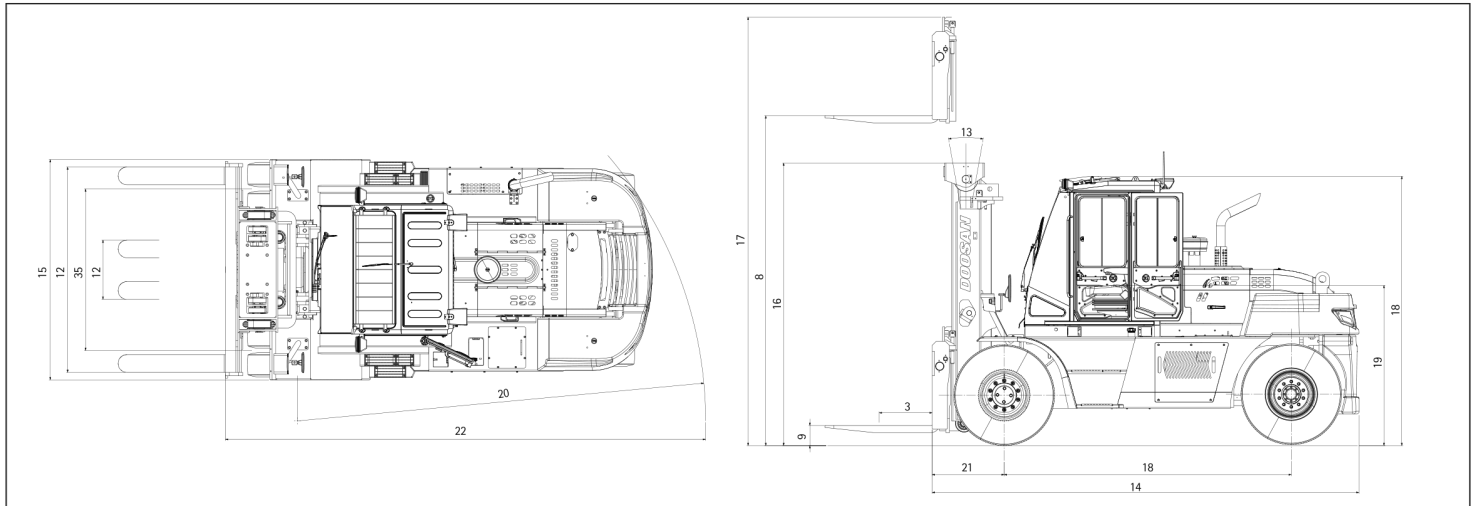
LIFTING YOUR DREAMS

SPECIFICATIONS

| CHARACTERISTICS | | | | | | | |
|-----------------|--------------------------------|---------------------------------|-----------|-----------------------------------------|-----------------------------------------|-----------------------------------------|-----------------------------------------|
| 1 | Model | | | D100S-7 | D120S-7 | D140S-7 | D160S-7 |
| 2 | Capacity | at Rated Load Center | lb. | 22,000 | 26,000 | 31,000 | 36,000 |
| 3 | Load Center | Distance | in. | 24 | 24 | 24 | 24 |
| 4 | Power Type | Electric,Diesel,Gasoline,LP-Gas | | Diesel | Diesel | Diesel | Diesel |
| 5 | Operator Type | Stand-On, Rider-Seated | | Rider-Seated | Rider-Seated | Rider-Seated | Rider-Seated |
| 6 | Tire Type | C=Cushion, P=Pneumatic | | P | P | P | P |
| 7 | Wheels (x = Drive) | Number, Front/Rear | | x4/2 | x4/2 | x4/2 | x4/2 |
| DIMENSIONS | | | | | | | |
| 8 | Maximum Fork Height | w/ STD 2-Stage Mast | in. | 118.1 | 118.1 | 118.1 | 118.1 |
| 9 | Free Lift | | in. | 0 | 0 | 0 | 0 |
| 10 | Fork Carriage | ISO Class | | 5 | 5 | 5 | 5 |
| 11 | Forks | Thickness x Width x Length | in. (mm) | 2.7 x 7.87 x 53.1 (70 x 200 x 1,350) | 3.3 x 7.87 x 53.1 (85 x 200 x 1,350) | 3.3 x 7.87 x 53.1 (85 x 200 x 1,350) | 3.3 x 7.87 x 53.1 (85 x 200 x 1,350) |
| 12 | | Fork Spacing (Min. x Max.) | in. (mm) | 18.5 x 84.2 (470 x 2,140) | 18.5 x 84.2 (470 x 2,140) | 18.5 x 90.2 (470 x 2,290) | 18.5 x 90.2 (470 x 2,290) |
| 13 | Tilt of Mast | Forward/Backward | deg. | 15/12 | 15/12 | 15/12 | 15/12 |
| 14 | Overall Dimensions | Length to Fork Face | in. | 176.8 | 177.4 | 190.2 | 190.2 |
| 15 | | Width | in. | 92.5 | 92.5 | 98.0 | 98.0 |
| 16 | | Mast Lowered Height ~ OAL | in. | 117.0 | 117.0 | 124.8 | 124.8 |
| 17 | | Mast Extended Height ~ MFH | in. | 176.0 | 176.0 | 183.9 | 183.9 |
| 18 | | Overhead Guard Height (Cabin) | in. | 113.8 (117.7) | 113.8 (117.7) | 116.1 (120.1) | 116.1 (120.1) |
| 19 | Seat Height | | in. | 71.9 | 71.9 | 74.2 | 74.2 |
| 20 | Minimum Outside Turning Radius | | in. | 168.9 | 168.9 | 181.9 | 181.9 |
| 21 | Load Moment Constant | | in. | 29.7 | 30.3 | 32.0 | 32.0 |
| 22 | 90° Stacking Aisle | Add Load Length and Clearance | in. | 198.6 | 199.2 | 214.0 | 214.0 |
| PERFORMANCE | | | | | | | |
| 23 | Speed | Ttravel, Loaded/Ynloaded | mph | 21.1/23.0 | 20.5/22.4 | 16.2/18.6 | 15.5/18.0 |
| 24 | | Lift, Loaded/Unloaded | fpm | 80.7/92.5 | 78.7/92.5 | 72.8/84.6 | 70.9/84.6 |
| 25 | | Lowering, Loaded/Unloaded | fpm | 84.6/80.7 | 84.6/80.7 | 84.6/80.7 | 84.6/80.7 |
| 26 | Drawbar Pull | @ 1.6 km/h, Loaded | lb. | 20,790 | 20,613 | 23,347 | 23,193 |
| 27 | Gradeability | @ 1.6 km/h, Loaded | % | 42.0 | 36.0 | 36.0 | 32.0 |
| WEIGHT | | | | Full Cabin | | | |
| 28 | Total Weight | Unloaded | lb. | 33,490 | 35,690 | 39,675 | 41,880 |
| 29 | Axle Load | w/ Load, Front/Rear | lb. | 48,480/7,010 | 54,450/7,240 | 63,415/7,255 | 70,665/7,210 |
| 30 | | w/o Load, Front/Rear | lb. | 16,470/17,020 | 16,490/19,200 | 19,050/20,625 | 19,105/22,775 |
| CHASSIS | | | | | | | |
| 31 | Tires | Number of Front/Rear | | 4/2 | 4/2 | 4/2 | 4/2 |
| 32 | | Size, Front | | 10.00 X 20-16PR | 10.00 X 20-16PR | 12.00 X 20-18PR | 12.00 X 20-18PR |
| 33 | | Size, Rear | | 10.00 X 20-16PR | 10.00 X 20-16PR | 12.00 X 20-18PR | 12.00 X 20-18PR |
| 34 | Wheel base | | in. | 118.1 | 118.1 | 128.0 | 128.0 |
| 35 | Tread | Front/Rear | in. | 1,724/1,860 | 1,724/1,860 | 1,825/1,910 | 1,825/1,910 |
| 36 | Ground clearance | Loaded, at the Lowest Point | in. | 270 | 270 | 270 | 270 |
| 37 | | Loaded, at Center of Wheelbase | in. | 360 | 360 | 370 | 370 |
| 38 | Brakes | Service Brake | | Disc | Disc | Disc | Disc |
| 39 | | Parking Brake | | Rachet | Rachet | Rachet | Rachet |
| DRIVE | | | | | | | |
| 40 | Battery | Voltage/Capacity | V/AH | 24/100 | 24/100 | 24/100 | 24/100 |
| 41 | Engine | Manufacturer/Model | | DI/DL06P | DI/DL06P | DI/DL06P | DI/DL06P |
| 42 | | Rated Output (@ rpm) | HP/rpm | 172.6/2,100 | 172.6/2,100 | 172.6/2,100 | 172.6/2,100 |
| | | | kW/rpm | 128.7/2,100 | 128.7/2,100 | 128.7/2,100 | 128.7/2,100 |
| 43 | | Max. Torque | lb-ft/rpm | 535/1,400 | 535/1,400 | 535/1,400 | 535/1,400 |
| | | | Nm/rpm | 725.7/1,400 | 725.7/1,400 | 725.7/1,400 | 725.7/1,400 |
| 44 | Cycle/Cylinders/Displacement | cc | 4/6/5890 | 4/6/5,890 | 4/6/5,890 | 4/6/5,890 | |
| 45 | Transmission | Type | | Full Auto | Full Auto | Full Auto | Full Auto |
| 46 | | No. of Speeds Forward/Reverse | | 3/3 | 3/3 | 3/3 | 3/3 |
| 47 | Operating pressure | System/Attachment | psi | 2,755/2,320 | 3,045/2,320 | 3,045/2,320 | 3,265/2,320 |

Note : Specification values quoted in this specification sheet has been rounded. Performance may vary due to operation conditions. Products and specifications are subject to improvement and change without prior notices.

DIMENSIONAL DRAWING



MAST SPECIFICATIONS & RATED CAPACITIES

D100S-7

| Mast Type | Maximum Fork Height | | Fully Lowered Height | | Fully Extended Height | | Free Lift | | Rated Load Capacities | | | |
|-----------|---------------------|-----|----------------------|-----|-----------------------|-----|--------------------|---------|-----------------------|-------------|------------------|--------|
| | | | | | With Load Backrest | | With Load Backrest | | D100S-7 | | | |
| | | | | | | | | | Tilt Angle | | Load Capacities | |
| | | | | | | | | | Double Pneumatic | | Double Pneumatic | |
| mm | in | mm | in | mm | in | mm | in | FWD deg | BWD deg | LC 600mm kg | LC 24in lb | |
| STD | 3,000 | 118 | 2,965 | 117 | 4,465 | 176 | 0 | 0 | 15 | 12 | 10,000 | 22,000 |
| | 3,500 | 138 | 3,215 | 127 | 4,965 | 195 | 0 | 0 | 15 | 12 | 10,000 | 22,000 |
| | 4,000 | 157 | 3,465 | 136 | 5,465 | 215 | 0 | 0 | 15 | 12 | 10,000 | 22,000 |
| | 4,500 | 177 | 3,715 | 146 | 5,965 | 235 | 0 | 0 | 15 | 12 | 10,000 | 22,000 |
| | 5,000 | 197 | 4,165 | 164 | 6,665 | 262 | 0 | 0 | 15 | 12 | 10,000 | 22,000 |
| | 5,500 | 217 | 4,415 | 174 | 7,165 | 282 | 0 | 0 | 15 | 12 | 10,000 | 22,000 |
| | 6,000 | 236 | 4,665 | 184 | 7,665 | 302 | 0 | 0 | 15 | 12 | 10,000 | 22,000 |
| FFT | 4,000 | 157 | 2,815 | 111 | 5,500 | 217 | 1,385 | 55 | 15 | 10 | 10,000 | 22,000 |
| | 4,500 | 177 | 2,980 | 117 | 6,000 | 236 | 1,550 | 61 | 15 | 10 | 10,000 | 22,000 |
| | 5,000 | 197 | 3,145 | 124 | 6,500 | 256 | 1,720 | 68 | 15 | 10 | 10,000 | 22,000 |
| | 5,500 | 216 | 3,315 | 131 | 7,000 | 276 | 1,885 | 74 | 15 | 10 | 10,000 | 22,000 |
| | 6,000 | 236 | 3,480 | 137 | 7,500 | 295 | 2,050 | 81 | 15 | 10 | 10,000 | 22,000 |

D120S-7

| Mast Type | Maximum Fork Height | | Fully Lowered Height | | Fully Extended Height | | Free Lift | | Rated Load Capacities | | | |
|-----------|---------------------|-----|----------------------|-----|-----------------------|-----|--------------------|---------|-----------------------|-------------|------------------|--------|
| | | | | | With Load Backrest | | With Load Backrest | | D120S-7 | | | |
| | | | | | | | | | Tilt Angle | | Load Capacities | |
| | | | | | | | | | Double Pneumatic | | Double Pneumatic | |
| mm | in | mm | in | mm | in | mm | in | FWD deg | BWD deg | LC 600mm kg | LC 24in lb | |
| STD | 3,000 | 118 | 2,965 | 117 | 4,465 | 176 | 0 | 0 | 15 | 12 | 12,000 | 26,450 |
| | 3,500 | 138 | 3,215 | 127 | 4,965 | 195 | 0 | 0 | 15 | 12 | 12,000 | 26,450 |
| | 4,000 | 157 | 3,465 | 136 | 5,465 | 215 | 0 | 0 | 15 | 12 | 12,000 | 26,450 |
| | 4,500 | 177 | 3,715 | 146 | 5,965 | 235 | 0 | 0 | 15 | 12 | 12,000 | 26,450 |
| | 5,000 | 197 | 4,165 | 164 | 6,665 | 262 | 0 | 0 | 15 | 12 | 12,000 | 26,450 |
| | 5,500 | 217 | 4,415 | 174 | 7,165 | 282 | 0 | 0 | 15 | 12 | 12,000 | 26,450 |
| | 6,000 | 236 | 4,665 | 184 | 7,665 | 302 | 0 | 0 | 15 | 12 | 12,000 | 26,450 |
| FFT | 4,000 | 157 | 2,815 | 111 | 5,495 | 216 | 1,400 | 55 | 15 | 10 | 12,000 | 26,450 |
| | 4,500 | 177 | 2,980 | 117 | 5,995 | 236 | 1,565 | 62 | 15 | 10 | 12,000 | 26,450 |
| | 5,000 | 197 | 3,145 | 124 | 6,495 | 256 | 1,735 | 68 | 15 | 10 | 12,000 | 26,450 |
| | 5,500 | 216 | 3,315 | 131 | 6,995 | 275 | 1,900 | 75 | 15 | 10 | 11,800 | 25,850 |
| | 6,000 | 236 | 3,480 | 137 | 7,495 | 295 | 2,065 | 81 | 15 | 10 | 11,425 | 25,850 |

Note : Mast Specifications & Rated Capacities are based on standard chassis with dual pneumatic tire and without side shifter.

MAST SPECIFICATIONS & RATED CAPACITIES

D140S-7

| Mast Type | Maxmum Fork Height | | Fully Lowered Height | | Fully Extended Height | | Free Lift | | Rated Load Capacities | | | |
|-----------|--------------------|-------|----------------------|-------|-----------------------|-----|--------------------|---------|-----------------------|--------|-----------------|--------|
| | | | | | With Load Backrest | | With Load Backrest | | D140S-7 | | | |
| | | | | | Double Pneumatic | | Double Pneumatic | | Tilt Angle | | Load Capacities | |
| | | | | | FWD | BWD | LC 600mm | LC 24in | deg | deg | kg | lb |
| | mm | in | mm | in | mm | in | mm | in | deg | deg | kg | lb |
| STD | 2,900 | 114 | 2,950 | 116 | 4,400 | 173 | 0 | 0 | 15 | 12 | 14,000 | 30,850 |
| | 3,000 | 118 | 3,170 | 125 | 4,670 | 184 | 0 | 0 | 15 | 12 | 14,000 | 30,850 |
| | 3,500 | 138 | 3,420 | 135 | 5,170 | 204 | 0 | 0 | 15 | 12 | 14,000 | 30,850 |
| | 4,000 | 157 | 3,670 | 144 | 5,670 | 223 | 0 | 0 | 15 | 12 | 14,000 | 30,850 |
| | 4,500 | 177 | 3,920 | 154 | 6,170 | 243 | 0 | 0 | 15 | 12 | 14,000 | 30,850 |
| | 5,000 | 197 | 4,370 | 172 | 6,870 | 270 | 0 | 0 | 15 | 12 | 14,000 | 30,850 |
| | 5,500 | 217 | 4,620 | 182 | 7,370 | 290 | 0 | 0 | 15 | 12 | 14,000 | 30,850 |
| 6,000 | 236 | 4,870 | 192 | 7,870 | 310 | 0 | 0 | 15 | 12 | 13,925 | 30,500 | |
| FFT | 3,700 | 146 | 2,930 | 115 | 5,330 | 210 | 1,380 | 54 | 15 | 8 | 14,000 | 30,850 |
| | 4,000 | 157 | 3,030 | 119 | 5,630 | 222 | 1,480 | 58 | 15 | 8 | 14,000 | 30,850 |
| | 4,500 | 177 | 3,195 | 126 | 6,130 | 241 | 1,645 | 65 | 15 | 8 | 13,950 | 30,550 |
| | 5,000 | 197 | 3,360 | 132 | 6,630 | 261 | 1,815 | 71 | 15 | 8 | 13,525 | 29,650 |
| | 5,500 | 217 | 3,530 | 139 | 7,130 | 281 | 1,980 | 78 | 15 | 8 | 13,100 | 28,700 |
| | 6,000 | 236 | 3,695 | 145 | 7,630 | 300 | 2,145 | 84 | 15 | 8 | 12,675 | 27,800 |

D160S-7

| Mast Type | Maxmum Fork Height | | Fully Lowered Height | | Fully Extended Height | | Free Lift | | Rated Load Capacities | | | |
|-----------|--------------------|-------|----------------------|-------|-----------------------|-----|--------------------|---------|-----------------------|--------|-----------------|--------|
| | | | | | With Load Backrest | | With Load Backrest | | D160S-7 | | | |
| | | | | | Double Pneumatic | | Double Pneumatic | | Tilt Angle | | Load Capacities | |
| | | | | | FWD | BWD | LC 600mm | LC 24in | deg | deg | kg | lb |
| | mm | in | mm | in | mm | in | mm | in | deg | deg | kg | lb |
| STD | 2,900 | 114 | 2,950 | 116 | 4,400 | 173 | 0 | 0 | 15 | 12 | 16,000 | 36,000 |
| | 3,000 | 118 | 3,170 | 125 | 4,670 | 184 | 0 | 0 | 15 | 12 | 16,000 | 36,000 |
| | 3,500 | 138 | 3,420 | 135 | 5,170 | 204 | 0 | 0 | 15 | 12 | 16,000 | 36,000 |
| | 4,000 | 157 | 3,670 | 144 | 5,670 | 223 | 0 | 0 | 15 | 12 | 16,000 | 36,000 |
| | 4,500 | 177 | 3,920 | 154 | 6,170 | 243 | 0 | 0 | 15 | 12 | 16,000 | 36,000 |
| | 5,000 | 197 | 4,370 | 172 | 6,870 | 270 | 0 | 0 | 15 | 12 | 16,000 | 36,000 |
| | 5,500 | 217 | 4,620 | 182 | 7,370 | 290 | 0 | 0 | 15 | 12 | 15,950 | 34,900 |
| 6,000 | 236 | 4,870 | 192 | 7,870 | 310 | 0 | 0 | 15 | 12 | 15,475 | 33,950 | |
| FFT | 3,700 | 146 | 2,930 | 115 | 5,330 | 210 | 1,380 | 54 | 15 | 8 | 16,000 | 35,750 |
| | 4,000 | 157 | 3,030 | 119 | 5,630 | 222 | 1,480 | 58 | 15 | 8 | 16,000 | 35,100 |
| | 4,500 | 177 | 3,195 | 126 | 6,130 | 241 | 1,645 | 65 | 15 | 8 | 15,525 | 34,050 |
| | 5,000 | 197 | 3,360 | 132 | 6,630 | 261 | 1,815 | 71 | 15 | 8 | 15,075 | 33,000 |
| | 5,500 | 217 | 3,530 | 139 | 7,130 | 281 | 1,980 | 78 | 15 | 8 | 14,600 | 31,950 |
| | 6,000 | 236 | 3,695 | 145 | 7,630 | 300 | 2,145 | 84 | 15 | 8 | 14,150 | 30,950 |

Note : Mast Specifications & Rated Capacities are based on standard chassis with dual pneumatic tire and without side shifter.

PSCT4D100-V2_SPEC

Doosan Industrial Vehicle America Corp.
 2475 Mill Center Parkway Suite 400
 Buford, GA 30518
 Tel: 678-745-2200 Fax: 678-745-2250
 www.DoosanLift.com



AUTHORIZED DEALER