



www.doosanlift.com

7-Series Electric Forklifts

3,000lb to 4,000lb Capacity
3-wheel and 4-wheel



Lifting Your Dreams

MAST SPECIFICATIONS and RATED CAPACITIES

B15T-7

Mast type	Maximum Fork Height		Fully Lowered Height		Fully Extended Height				Free Lift				Rated Load Capacities							
					with Load Backrest		without Load Backrest		with Load Backrest		without Load Backrest		Single Solid Tire				Single Cushion Tire			
					Tilt Angle		Load Cap.		Tilt Angle		Load Cap.		FWD	BWD	LC 24" (500mm)	FWD	BWD	LC 24" (500mm)		
					deg	deg	lb	kg	deg	deg	lb	kg								
STD	118.1	3,000	78.7	2,000	159.3	4,045	141.7	3,600	5.1	130	5.1	130	5	7	3000	1,500	5	7	3000	1,500
	129.9	3,300	84.6	2,150	171.1	4,345	153.5	3,900	5.1	130	5.1	130	5	7	3000	1,500	5	7	3000	1,500
	137.8	3,500	88.6	2,250	178.9	4,545	161.4	4,100	5.1	130	5.1	130	5	7	3000	1,500	5	7	3000	1,500
	145.7	3,700	92.5	2,350	186.8	4,745	169.3	4,300	5.1	130	5.1	130	5	7	3000	1,500	5	7	3000	1,500
	157.5	4,000	100.4	2,550	198.6	5,045	181.1	4,600	5.1	130	5.1	130	5	7	3000	1,500	5	7	3000	1,500
	177.2	4,500	110.2	2,800	218.3	5,545	200.8	5,100	5.1	130	5.1	130	5	7	2850	1,425	5	7	2900	1,450
FF	106.3	2,700	72.8	1,850	147.4	3,745	130.9	3,325	33.3	845	49.8	1,265	5	5	3000	1,500	5	5	3000	1,500
	118.1	3,000	78.7	2,000	159.3	4,045	142.7	3,625	39.2	995	55.7	1,415	5	5	3000	1,500	5	5	3000	1,500
	129.9	3,300	84.6	2,150	171.1	4,345	154.5	3,925	45.1	1,145	61.6	1,565	5	5	3000	1,500	5	5	3000	1,500
FFT	157.5	4,000	74.0	1,880	198.8	5,050	182.3	4,630	34.4	875	51.0	1,295	5	5	2900	1,450	5	5	2950	1,475
	177.2	4,500	80.5	2,045	218.3	5,545	201.8	5,125	40.9	1,040	57.5	1,460	5	5	2800	1,400	5	5	2850	1,425
	187.0	4,750	83.9	2,130	228.1	5,795	211.6	5,375	44.3	1,125	60.8	1,545	5	5	2700	1,350	5	5	2750	1,375
	196.9	5,000	88.4	2,245	238.0	6,045	221.5	5,625	48.8	1,240	65.4	1,660	5	5	2600	1,300	5	5	2700	1,350
	216.5	5,500	97.6	2,480	257.9	6,550	241.3	6,130	58.1	1,475	74.6	1,895	5	5	1950	975	5	5	2550	1,275
	236.2	6,000	104.1	2,645	277.4	7,045	260.8	6,625	64.6	1,640	81.1	2,060	5	5	1300	650	5	5	2450	1,225

B18T-7, B18TL-7

Mast type	Maximum Fork Height		Fully Lowered Height		Fully Extended Height				Free Lift				Rated Load Capacities							
					with Load Backrest		without Load Backrest		with Load Backrest		without Load Backrest		Single Solid Tire				Single Cushion Tire			
					Tilt Angle		Load Cap.		Tilt Angle		Load Cap.		FWD	BWD	LC 24" (500mm)	FWD	BWD	LC 24" (500mm)		
					deg	deg	lb	kg	deg	deg	lb	kg								
STD	118.1	3,000	78.7	2,000	159.3	4,045	141.7	3,600	5.1	130	5.1	130	5	7	3500	1,750	5	7	3500	1,750
	129.9	3,300	84.6	2,150	171.1	4,345	153.5	3,900	5.1	130	5.1	130	5	7	3500	1,750	5	7	3500	1,750
	137.8	3,500	88.6	2,250	178.9	4,545	161.4	4,100	5.1	130	5.1	130	5	7	3500	1,750	5	7	3500	1,750
	145.7	3,700	92.5	2,350	186.8	4,745	169.3	4,300	5.1	130	5.1	130	5	7	3500	1,750	5	7	3500	1,750
	157.5	4,000	100.4	2,550	198.6	5,045	181.1	4,600	5.1	130	5.1	130	5	7	3500	1,750	5	7	3500	1,750
	177.2	4,500	110.2	2,800	218.3	5,545	200.8	5,100	5.1	130	5.1	130	5	7	3300	1,650	5	7	3300	1,650
FF	106.3	2,700	72.8	1,850	147.4	3,745	130.9	3,325	33.3	845	49.8	1,265	5	5	3500	1,750	5	5	3500	1,750
	118.1	3,000	78.7	2,000	159.3	4,045	142.7	3,625	39.2	995	55.7	1,415	5	5	3500	1,750	5	5	3500	1,750
	129.9	3,300	84.6	2,150	171.1	4,345	154.5	3,925	45.1	1,145	61.6	1,565	5	5	3500	1,750	5	5	3500	1,750
FFT	157.5	4,000	74.0	1,880	198.8	5,050	182.3	4,630	34.4	875	51.0	1,295	5	5	3350	1,675	5	5	3400	1,700
	177.2	4,500	80.5	2,045	218.3	5,545	201.8	5,125	40.9	1,040	57.5	1,460	5	5	3200	1,600	5	5	3300	1,650
	187.0	4,750	83.9	2,130	228.1	5,795	211.6	5,375	44.3	1,125	60.8	1,545	5	5	3050	1,525	5	5	3250	1,625
	196.9	5,000	88.4	2,245	238.0	6,045	221.5	5,625	48.8	1,240	65.4	1,660	5	5	2800	1,400	5	5	3150	1,575
	216.5	5,500	97.6	2,480	257.9	6,550	241.3	6,130	58.1	1,475	74.6	1,895	5	5	2050	1,025	5	5	3000	1,500
	236.2	6,000	104.1	2,645	277.4	7,045	260.8	6,625	64.6	1,640	81.1	2,060	5	5	1400	700	5	5	2800	1,400

B20T-7, B20TL-7

Mast type	Maximum Fork Height		Fully Lowered Height		Fully Extended Height				Free Lift				Rated Load Capacities							
					with Load Backrest		without Load Backrest		with Load Backrest		without Load Backrest		Single Solid Tire				Single Cushion Tire			
					Tilt Angle		Load Cap.		Tilt Angle		Load Cap.		FWD	BWD	LC 24" (500mm)	FWD	BWD	LC 24" (500mm)		
					deg	deg	lb	kg	deg	deg	lb	kg								
STD	118.1	3,000	78.7	2,000	159.4	4,050	141.9	3,605	5.1	130	5.1	130	5	7	4000	2,000	5	7	4000	2,000
	129.9	3,300	84.6	2,150	171.3	4,350	153.7	3,905	5.1	130	5.1	130	5	7	4000	2,000	5	7	4000	2,000
	137.8	3,500	88.6	2,250	179.1	4,550	161.6	4,105	5.1	130	5.1	130	5	7	4000	2,000	5	7	4000	2,000
	145.7	3,700	92.5	2,350	187.0	4,750	169.5	4,305	5.1	130	5.1	130	5	7	4000	2,000	5	7	4000	2,000
	157.5	4,000	100.4	2,550	198.8	5,050	181.3	4,605	5.1	130	5.1	130	5	7	4000	2,000	5	7	4000	2,000
	177.2	4,500	110.2	2,800	218.5	5,550	201.0	5,105	5.1	130	5.1	130	5	7	3900	1,950	5	7	4000	2,000
FF	106.3	2,700	72.8	1,850	147.6	3,750	131.1	3,330	33.3	845	49.8	1,265	5	5	4000	2,000	5	5	4000	2,000
	118.1	3,000	78.7	2,000	159.4	4,050	142.9	3,630	39.2	995	55.7	1,415	5	5	4000	2,000	5	5	4000	2,000
	129.9	3,300	84.6	2,150	171.3	4,350	154.7	3,930	45.1	1,145	61.6	1,565	5	5	4000	2,000	5	5	4000	2,000
FFT	157.5	4,000	74.0	1,880	199.0	5,055	182.5	4,635	34.4	875	51.0	1,295	5	5	3900	1,950	5	5	4000	2,000
	177.2	4,500	80.5	2,045	218.5	5,550	202.0	5,130	40.9	1,040	57.5	1,460	5	5	3750	1,875	5	5	3950	1,975
	187.0	4,750	83.9	2,130	228.3	5,800	211.8	5,380	44.3	1,125	60.8	1,545	5	5	3650	1,825	5	5	3850	1,925
	196.9	5,000	88.4	2,245	238.2	6,050	221.7	5,630	48.8	1,240	65.4	1,660	5	5	3600	1,800	5	5	3800	1,900
	216.5	5,500	97.6	2,480	258.1	6,555	241.5	6,135	58.1	1,475	74.6	1,895	5	5	3400	1,700	5	5	3600	1,800
	236.2	6,000	104.1	2,645	277.6	7,050	261.0	6,630	64.6	1,640	81.1	2,060	5	5	3150	1,575	5	5	3000	1,500

Note: These load capacities are based on the standard chassis without side shifter.

Specification values quoted in this catalog have been rounded.

Products and specifications are subject to improvement and change without notice.

Performance may vary due to operating conditions.

The performance shown represents nominal values obtained under typical operating conditions.

B16X-7

Mast type	Maximum Fork Height		Fully Lowered Height		Fully Extended Height				Free Lift				Rated Load Capacities											
					with Load Backrest		without Load Backrest		with Load Backrest		without Load Backrest		Single Solid Tire				Single Cushion Tire							
					Tilt Angle		Load Cap.		Tilt Angle		Load Cap.		FWD	BWD	LC 24" (500mm)	FWD	BWD	LC 24" (500mm)	FWD	BWD	LC 24" (500mm)	FWD	BWD	LC 24" (500mm)
					deg	deg	lb	kg	deg	deg	lb	kg												
in	mm	in	mm	in	mm	in	mm	in	mm	in	mm	in	mm	deg	deg	lb	kg	deg	deg	lb	kg			
STD	118.1	3,000	78.7	2,000	159.3	4,045	141.7	3,600	5.1	130	5.1	130	5	7	3200	1,600	5	7	3200	1,600				
	129.9	3,300	84.6	2,150	171.1	4,345	153.5	3,900	5.1	130	5.1	130	5	7	3200	1,600	5	7	3200	1,600				
	137.8	3,500	88.6	2,250	178.9	4,545	161.4	4,100	5.1	130	5.1	130	5	7	3200	1,600	5	7	3200	1,600				
	145.7	3,700	92.5	2,350	186.8	4,745	169.3	4,300	5.1	130	5.1	130	5	7	3200	1,600	5	7	3200	1,600				
	157.5	4,000	100.4	2,550	198.6	5,045	181.1	4,600	5.1	130	5.1	130	5	7	3200	1,600	5	7	3200	1,600				
	177.2	4,500	110.2	2,800	218.3	5,545	200.8	5,100	5.1	130	5.1	130	5	7	3200	1,600	5	7	3200	1,600				
FF	106.3	2,700	72.8	1,850	147.4	3,745	130.9	3,325	33.3	845	49.8	1,265	5	5	3200	1,600	5	5	3200	1,600				
	118.1	3,000	78.7	2,000	159.3	4,045	142.7	3,625	39.2	995	55.7	1,415	5	5	3200	1,600	5	5	3200	1,600				
	129.9	3,300	84.6	2,150	171.1	4,345	154.5	3,925	45.1	1,145	61.6	1,565	5	5	3200	1,600	5	5	3200	1,600				
FFT	157.5	4,000	74.0	1,880	198.8	5,050	182.3	4,630	34.4	875	51.0	1,295	5	5	3200	1,600	5	5	3200	1,600				
	177.2	4,500	80.5	2,045	218.3	5,545	201.8	5,125	40.9	1,040	57.5	1,460	5	5	3100	1,550	5	5	3050	1,525				
	187.0	4,750	83.9	2,130	228.1	5,795	211.6	5,375	44.3	1,125	60.8	1,545	5	5	3000	1,500	5	5	2950	1,475				
	196.9	5,000	88.4	2,245	238.0	6,045	221.5	5,625	48.8	1,240	65.4	1,660	5	5	2900	1,450	5	5	2900	1,450				
	216.5	5,500	97.6	2,480	257.9	6,550	241.3	6,130	58.1	1,475	74.6	1,895	5	5	2700	1,350	5	5	2700	1,350				
	236.2	6,000	104.1	2,645	277.4	7,045	260.8	6,625	64.6	1,640	81.1	2,060	5	5	2500	1,250	5	5	2150	1,075				

B18X-7

Mast type	Maximum Fork Height		Fully Lowered Height		Fully Extended Height				Free Lift				Rated Load Capacities											
					with Load Backrest		without Load Backrest		with Load Backrest		without Load Backrest		Single Solid Tire				Single Cushion Tire							
					Tilt Angle		Load Cap.		Tilt Angle		Load Cap.		FWD	BWD	LC 24" (500mm)	FWD	BWD	LC 24" (500mm)	FWD	BWD	LC 24" (500mm)	FWD	BWD	LC 24" (500mm)
					deg	deg	lb	kg	deg	deg	lb	kg												
in	mm	in	mm	in	mm	in	mm	in	mm	in	mm	in	mm	deg	deg	lb	kg	deg	deg	lb	kg			
STD	118.1	3,000	78.7	2,000	159.3	4,045	141.7	3,600	5.1	130	5.1	130	5	7	3600	1,800	n/a	n/a						
	129.9	3,300	84.6	2,150	171.1	4,345	153.5	3,900	5.1	130	5.1	130	5	7	3600	1,800								
	137.8	3,500	88.6	2,250	178.9	4,545	161.4	4,100	5.1	130	5.1	130	5	7	3600	1,800								
	145.7	3,700	92.5	2,350	186.8	4,745	169.3	4,300	5.1	130	5.1	130	5	7	3600	1,800								
	157.5	4,000	100.4	2,550	198.6	5,045	181.1	4,600	5.1	130	5.1	130	5	7	3600	1,800								
	177.2	4,500	110.2	2,800	218.3	5,545	200.8	5,100	5.1	130	5.1	130	5	7	3400	1,700								
FF	106.3	2,700	72.8	1,850	147.4	3,745	130.9	3,325	33.3	845	49.8	1,265	5	5	3600	1,800	n/a	n/a						
	118.1	3,000	78.7	2,000	159.3	4,045	142.7	3,625	39.2	995	55.7	1,415	5	5	3600	1,800								
	129.9	3,300	84.6	2,150	171.1	4,345	154.5	3,925	45.1	1,145	61.6	1,565	5	5	3600	1,800								
FFT	157.5	4,000	74.0	1,880	198.8	5,050	182.3	4,630	34.4	875	51.0	1,295	5	5	3600	1,800	n/a	n/a						
	177.2	4,500	80.5	2,045	218.3	5,545	201.8	5,125	40.9	1,040	57.5	1,460	5	5	3500	1,750								
	187.0	4,750	83.9	2,130	228.1	5,795	211.6	5,375	44.3	1,125	60.8	1,545	5	5	3200	1,600								
	196.9	5,000	88.4	2,245	238.0	6,045	221.5	5,625	48.8	1,240	65.4	1,660	5	5	3100	1,550								
	216.5	5,500	97.6	2,480	257.9	6,550	241.3	6,130	58.1	1,475	74.6	1,895	5	5	2950	1,475								
	236.2	6,000	104.1	2,645	277.4	7,045	260.8	6,625	64.6	1,640	81.1	2,060	5	5	2700	1,350								

B20X-7

Mast type	Maximum Fork Height		Fully Lowered Height		Fully Extended Height				Free Lift				Rated Load Capacities											
					with Load Backrest		without Load Backrest		with Load Backrest		without Load Backrest		Single Solid Tire				Single Cushion Tire							
					Tilt Angle		Load Cap.		Tilt Angle		Load Cap.		FWD	BWD	LC 24" (500mm)	FWD	BWD	LC 24" (500mm)	FWD	BWD	LC 24" (500mm)	FWD	BWD	LC 24" (500mm)
					deg	deg	lb	kg	deg	deg	lb	kg												
in	mm	in	mm	in	mm	in	mm	in	mm	in	mm	in	mm	deg	deg	lb	kg	deg	deg	lb	kg			
STD	118.1	3,000	78.7	2,000	159.4	4,050	141.9	3,605	5.1	130	5.1	130	5	7	4000	2,000	n/a	n/a						
	129.9	3,300	84.6	2,150	171.3	4,350	153.7	3,905	5.1	130	5.1	130	5	7	4000	2,000								
	137.8	3,500	88.6	2,250	179.1	4,550	161.6	4,105	5.1	130	5.1	130	5	7	4000	2,000								
	145.7	3,700	92.5	2,350	187.0	4,750	169.5	4,305	5.1	130	5.1	130	5	7	4000	2,000								
	157.5	4,000	100.4	2,550	198.8	5,050	181.3	4,605	5.1	130	5.1	130	5	7	4000	2,000								
	177.2	4,500	110.2	2,800	218.5	5,550	201.0	5,105	5.1	130	5.1	130	5	7	3800	1,900								
FF	106.3	2,700	72.8	1,850	147.6	3,750	131.1	3,330	33.3	845	49.8	1,265	5	5	4000	2,000	n/a	n/a						
	118.1	3,000	78.7	2,000	159.4	4,050	142.9	3,630	39.2	995	55.7	1,415	5	5	4000	2,000								
	129.9	3,300	84.6	2,150	171.3	4,350	154.7	3,930	45.1	1,145	61.6	1,565	5	5	4000	2,000								
FFT	157.5	4,000	74.0	1,880	199.0	5,055	182.5	4,635	34.4	875	51.0	1,295	5	5	3800	1,900	n/a	n/a						
	177.2	4,500	80.5	2,045	218.5	5,550	202.0	5,130	40.9	1,040	57.5	1,460	5	5	3800	1,900								
	187.0	4,750	83.9	2,130	228.3	5,800	211.8	5,380	44.3	1,125	60.8	1,545	5	5	3600	1,800								
	196.9	5,000	88.4	2,245	238.2	6,050	221.7	5,630	48.8	1,240	65.4	1,660	5	5	3450	1,725								
	216.5	5,500	97.6	2,480	258.1	6,555	241.5	6,135	58.1	1,475	74.6	1,895	5	5	3300	1,650								
	236.2	6,000	104.1	2,645	277.6	7,050	261.0	6,630	64.6	1,640	81.1	2,060	5	5	3000	1,500								

Note: These load capacities are based on the standard chassis without side shifter.

MAIN SPECIFICATIONS - 48V

CHARACTERISTICS	1	Model		B16X-7	B18X-7	B20X-7			
	2	Load Capacity	at rated load center	lb(kg)	3200 (1600)	3600 (1800)	4000 (2000)		
	3	Load Center		in(mm)	24 (500)	24 (500)	24 (500)		
	4	Power type			AC Electric	AC Electric	AC Electric		
5	Operator type			Driver Seated	Driver Seated	Driver Seated			
6	Tire type	P= pneumatic, E= solid, C= cushion		SE / P*	SE	SE			
7	Wheels (x = driven)	number of front/rear		x 2/2	x 2/2	x 2/2			
DIMENSIONS	8	Max. Fork Height	with STD 2-stage mast	in(mm)	130 (3300)	130 (3300)	130 (3300)		
	9	Free Lift		in(mm)	5.1 (130)	5.1 (130)	5.3 (135)		
	10	Fork carriage	ISO Class		II	II	II		
	11	Forks	Thickness x Width x Length	in(mm)	1.4 / 3.9 / 41.3 (35 / 100 / 900)	1.4 / 3.9 / 41.3 (35 / 100 / 900)	1.6 / 3.9 / 41.3 (40 / 100 / 900)		
			Fork Spacing (min. x max.)	in(mm)	9.5 / 35.6 (240 / 905)	9.5 / 35.6 (240 / 905)	9.5 / 35.6 (240 / 905)		
	12	Tilt of Mast	Forward / Backward	deg	5/7	5/7	5/7		
	13-19	Overall Dimensions	Length to Fork Face	in(mm)	83.4 (2120)	83.4 (2120)	83.6 (2125)		
			Overall Length	in(mm)	124.7 (3020)	124.7 (3020)	124.9 (3025)		
			Overall Width	in(mm)	42.9 (1090)	44.1 (1119)	44.1 (1119)		
			Mast Lowered Height	in(mm)	84.6 (2150)	84.6 (2150)	84.6 (2150)		
			Mast Extended Height	in(mm)	171 (4345)	171 (4345)	171.3 (4350)		
			Overhead Guard Height	in(mm)	79 (2010)	79 (2010)	79 (2010)		
			Seat Height	in(mm)	36.2 (919)	36.2 (919)	36.2 (919)		
	20	Outer Turning Radius		in(mm)	74.2 (1886)	74.2 (1886)	74.2 (1886)		
	21	Inner Turning Radius		in(mm)	19.4 (494)	19.4 (494)	19.4 (494)		
	22	Load Moment Center	Center of drive axle to fork face	in(mm)	14.8 (376)	14.8 (376)	15.0 (381)		
	23	Right Angle Stacking Aisle Width (with Pallets & Clearance)	48" x 40" (1000 x 1200) Pallet	in(mm)	136.4 (3466)	136.4 (3466)	136.6 (3471)		
48" x 31" (800 x 1200) Pallet			in(mm)	144.3 (3665)	144.3 (3665)	144.5 (3670)			
PERFORMANCE	25-27	Speed	Travel	Loaded / Unloaded	mph(km/h)	10.6 / 10.6 (17 / 17)	10.6 / 10.6 (17 / 17)		
			Lifting	Loaded / Unloaded	fpm(mm/s)	79 / 118 (400 / 600)	79 / 118 (400 / 600)	79 / 118 (400 / 600)	
			Lowering	Loaded / Unloaded	fpm(mm/s)	98/89 (500/450)	98/89 (500/450)	98/89 (500/450)	
	28	Max. Drawbar pull	Loaded at 1.0 mph	lb(kg)	2864 (1300)	2864 (1300)	2864 (1300)		
29	Max. Gradeability	Loaded at 1.0 mph	%	26	25	24			
WEIGHT	30	Total weight	with min. weight of battery	lb(kg)	6858 (3111)	7233 (3281)	7630 (3461)		
	31-32	Axle Load	Loaded, Front / Rear	lb(kg)	9341 / 1045 (4237 / 474)	10033 / 1168 (4551 / 530)	10738 / 1301 (4871 / 590)		
			Unloaded, Front / Rear	lb(kg)	3748 / 3111 (1700 / 1411)	3739 / 3494 (1696 / 1585)	3730 / 3900 (1692 / 1769)		
CHASSIS	33-34	Tires	Size	Front		18x7-8 (a)	200x50-10		
			Rear		16x6-8 (b)	16x6-8			
	35	Wheel Base	Distance	in(mm)	58.8 (1495)	58.8 (1495)	58.8 (1495)		
	36-37	Tread Width	Front	in(mm)	35.5 (902)	35.9 (912)	35.9 (912)		
			Rear	in(mm)	35 (890)	35 (890)	35 (890)		
	38-39	Ground clearance	Loaded	at lowest	in(mm)	3.4 (86)	3.4 (86)	3.4 (86)	
			at center of wheel base	in(mm)	3.9 (100)	3.9 (100)	3.9 (100)		
40	Brakes	Service		hydraulic	hydraulic	hydraulic			
		Parking		auto-electric	auto-electric	auto-electric			
POWER TRAIN	41	Battery	Type		lead-acid	lead-acid	lead-acid		
			Voltage	V	48	48	48		
			Capacity (5 Hours Rating)	Nominal	BS type	AH	585	585	585
					DIN type	AH	575	575	575
				Max.	BS type	AH	690	690	690
					DIN type	AH	625	625	625
			Battery compartment sizes (W x L x H) Max.	Normal	in(mm)	25.1 x 39.1 x 27.5 (638 x 992 x 698)	25.1 x 39.1 x 27.5 (638 x 992 x 698)	25.1 x 39.1 x 27.5 (638 x 992 x 698)	
				BS Type	in(mm)	25.1 (23.9) x 39.1 x 27.5 (638 (608) x 992 x 698)**	25.1 (23.9) x 39.1 x 27.5 (638 (608) x 992 x 698)**	25.1 (23.9) x 39.1 x 27.5 (638 (608) x 992 x 698)**	
				DIN Type	in(mm)	25.1 x 39.1 (33.1) x 27.5 (638 x 992 (842) x 698)***	25.1 x 39.1 (33.1) x 27.5 (638 x 992 (842) x 698)***	25.1 x 39.1 (33.1) x 27.5 (638 x 992 (842) x 698)***	
			Weight (min/max)	lb(kg)	2315 / 2755 (1050 / 1250)	2315 / 2755 (1050 / 1250)	2315 / 2755 (1050 / 1250)		
	42	Electric Motors	Drive motor rating at S2 60 minute	kW	6.0 x 2	6.0 x 2	6.0 x 2		
Lifting motor rating at S3 15%			kW	14	14	14			
43	Control Type	Drive and Hydraulic	type	AC	AC	AC			
44	Drive Axle	Brake type	type	ODB	ODB	ODB			
45-46	Relief Pressure	System	psi (kPa)	2880 (19860)	2880 (19860)	3125 (21550)			
		Attachment	psi (kPa)	2040 (14000)	2040 (14000)	2040 (14000)			
47	Hydraulic oil tank	Capacity	L	20	20	20			

*Optional (a) Pneumatic Tires 18 x 7 - 8 ** if the operator uses a BS Type Battery (608mm length/575, 630, 690AH/5h capacity), a special accessory (stopper) should be chosen.
(b) Pneumatic Tires 16 x 6 - 8 ***if the operator uses a DIN Type Battery (842mm width), a special accessory (bracket) should be chosen.

1	B15T-7	B18T-7	B18TL-7	B20T-7	B20TL-7
2	3000 (1500)	3500 (1750)	3500 (1750)	4000 (2000)	4000 (2000)
3	24 (500)	24 (500)	24 (500)	24 (500)	24 (500)
4	AC Electric	AC Electric	AC Electric	AC Electric	AC Electric
5	Driver Seated	Driver Seated	Driver Seated	Driver Seated	Driver Seated
6	SE / C*	SE / C*	SE / C*	SE / C*	SE / C*
7	x 2 / 1	x 2 / 1	x 2 / 1	x 2 / 1	x 2 / 1
8	130 (3300)	130 (3300)	130 (3300)	130 (3300)	130 (3300)
9	5.1 (130)	5.1 (130)	5.1 (130)	5.3 (135)	5.3 (135)
10	II	II	II	II	II
11	1.4 / 3.9 / 41.3 (35 / 100 / 900)	1.4 / 3.9 / 41.3 (35 / 100 / 900)	1.4 / 3.9 / 41.3 (35 / 100 / 900)	1.6 / 3.9 / 41.3 (40 / 100 / 900)	1.6 / 3.9 / 41.3 (40 / 100 / 900)
	9.5 / 35.6 (240 / 905)	9.5 / 35.6 (240 / 905)	9.5 / 35.6 (240 / 905)	9.5 / 35.6 (240 / 905)	9.5 / 35.6 (240 / 905)
12	5/7	5/7	5/7	5/7	5/7
13	74.4 (1891)	78.4 (1991)	83.9 (2132)	79.9 (2029)	84.1 (2137)
14	115.7 (2791)	119.7 (2891)	125.2 (3032)	121.2 (2929)	125.4 (3037)
15	42.9 (1090)	42.9 (1090)	42.9 (1090)	44.1 (1119)	44.1 (1119)
16	84.6 (2150)	84.6 (2150)	84.6 (2150)	84.6 (2150)	84.6 (2150)
17	171 (4345)	171 (4345)	171 (4345)	171.3 (4350)	171.3 (4350)
18	79 (2010)	79 (2010)	79 (2010)	79 (2010)	79 (2010)
19	36.2 (919)	36.2 (919)	36.2 (919)	36.2 (919)	36.2 (919)
20	59.6 (1515)	63.6 (1615)	69.1 (1756)	64.9 (1648)	69.1 (1756)
21	-	-	-	-	-
22	14.8 (376)	14.8 (376)	14.8 (376)	15.0 (381)	15.0 (381)
23	126.6 (3216)	130.5 (3316)	136.1 (3457)	132 (3354)	136.3 (3462)
24	131.5 (3341)	135.5 (3441)	141.0 (3582)	137 (3479)	141.2 (3587)
25	10.6 / 10.6 (17 / 17)	10.6 / 10.6 (17 / 17)	10.6 / 10.6 (17 / 17)	10.6 / 10.6 (17 / 17)	10.6 / 10.6 (17 / 17)
26	79 / 118 (400 / 600)	79 / 118 (400 / 600)	79 / 118 (400 / 600)	79 / 118 (400 / 600)	79 / 118 (400 / 600)
27	98/89 (500/450)	98/89 (500/450)	98/89 (500/450)	98/89 (500/450)	98/89 (500/450)
28	2864 (1300)	2864 (1300)	2864 (1300)	2864 (1300)	2864 (1300)
29	26	25	25	24	24
30	6675 (3028)	6927 (3142)	7348 (3333)	7654 (3472)	7348 (3333)
31	8792 / 1190 (3988 / 540)	9607 / 1177 (4358 / 534)	9638 / 1569 (4372 / 712)	10672 / 1391 (4841 / 631)	10513 / 1243 (4769 / 564)
32	3296 / 3379 (1495 / 1533)	3373 / 3553 (1530 / 1612)	3604 / 3743 (1635 / 1698)	3578 / 4076 (1623 / 1849)	3604 / 3743 (1635 / 1698)
33	18x7-8 (c)	18x7-8 (c)	18x7-8 (c)	200x50-10 (c)	200x50-10 (c)
34	15x4.5-8 (d)	15x4.5-8 (d)	15x4.5-8 (d)	16x6-8 (d)	16x6-8 (d)
35	52 (1323)	56 (1423)	61.2 (1554)	57 (1446)	61.2 (1554)
36	35.5 (902)	35.5 (902)	35.5 (902)	35.9 (912)	35.9 (912)
37	6.6 (167)	6.6 (167)	6.6 (167)	7.9 (201)	7.9 (201)
38	3.4 (86)	3.4 (86)	3.4 (86)	3.4 (86)	3.4 (86)
39	3.9 (100)	3.9 (100)	3.9 (100)	3.9 (100)	3.9 (100)
40	hydraulic	hydraulic	hydraulic	hydraulic	hydraulic
	auto-electric	auto-electric	auto-electric	auto-electric	auto-electric
41	lead-acid	lead-acid	lead-acid	lead-acid	lead-acid
	48	48	48	48	48
	440	510	600	585	600
	460	525	690	575	690
	575	690	-	690	-
	500	625	750	625	750
	20.8 x 39.1 x 27.5 (528 x 992 x 698)	25.1 x 39.1 x 27.5 (638 x 992 x 698)	29.4 x 39.1 x 27.5 (746 x 992 x 698)	25.1 x 39.1 x 27.5 (638 x 992 x 698)	29.4 x 39.1 x 27.5 (746 x 992 x 698)
	20.8 x 39.1 x 27.5 (528 x 992 x 698)	25.1 (23.9) x 39.1 x 27.5 (638 (608) x 992 x 698) (c)	-	25.1 (23.9) x 39.1 x 27.5 (638 (608) x 992 x 698) (c)	-
20.8 x 39.1 (33.1) x 27.5 (528 x 992 (842) x 698) (d)	25.1 x 39.1 (33.1) x 27.5 (638 x 992 (842) x 698) (d)	29.4 x 39.1 (33.1) x 27.5 (746 x 992 (842) x 698) (d)	25.1 x 39.1 (33.1) x 27.5 (638 x 992 (842) x 698) (d)	29.4 x 39.1 (33.1) x 27.5 (746 x 992 (842) x 698) (d)	
1543 / 1836 (700 / 833)	1764 / 2330 (800 / 1057)	2205 / 2330 (1000 / 1057)	2205 / 2755 (1000 / 1250)	2205 / 2755 (1000 / 1250)	
6.0 x 2	6.0 x 2	6.0 x 2	6.0 x 2	6.0 x 2	
42	14	14	14	14	
43	AC	AC	AC	AC	AC
44	ODB	ODB	ODB	ODB	ODB
45	2550 (17600)	2880 (19860)	2880 (19860)	3125 (21550)	3125 (21550)
46	2040 (14000)	2040 (14000)	2040 (14000)	2040 (14000)	2040 (14000)
47	20	20	20	20	20

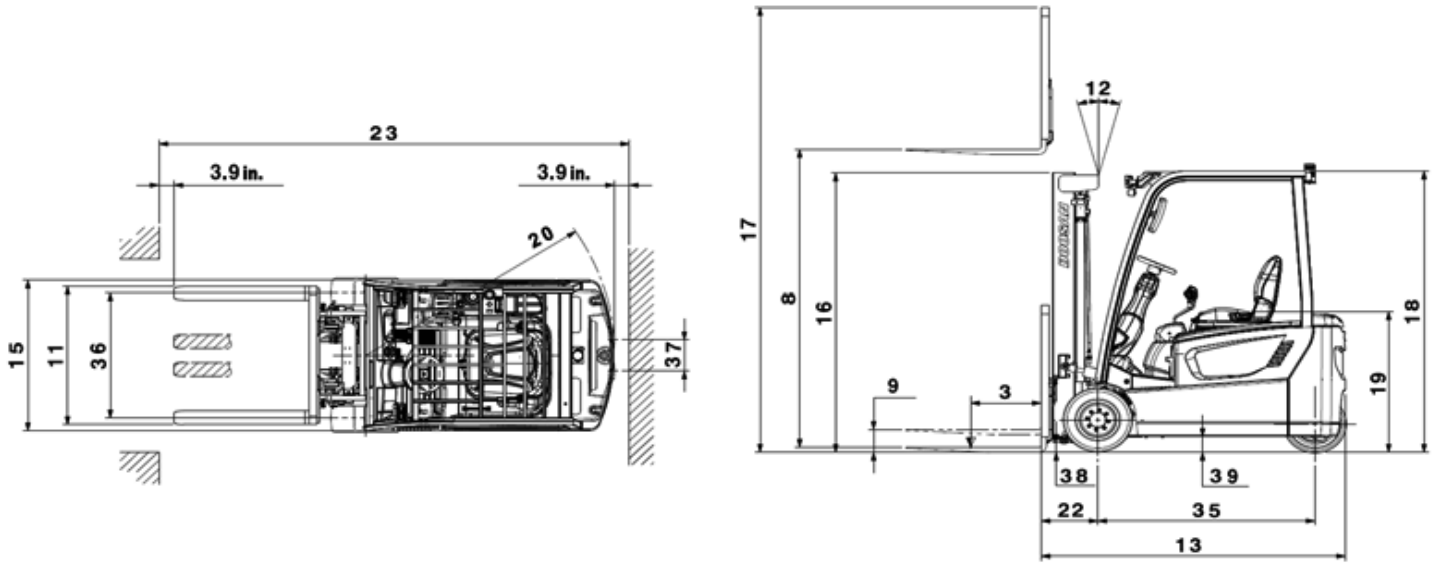
*Optional (c) Cushion Tires 18 x 7 - 12.12 (d) Cushion Tires 15 x 6 - 11.25

MAIN SPECIFICATIONS - 36V

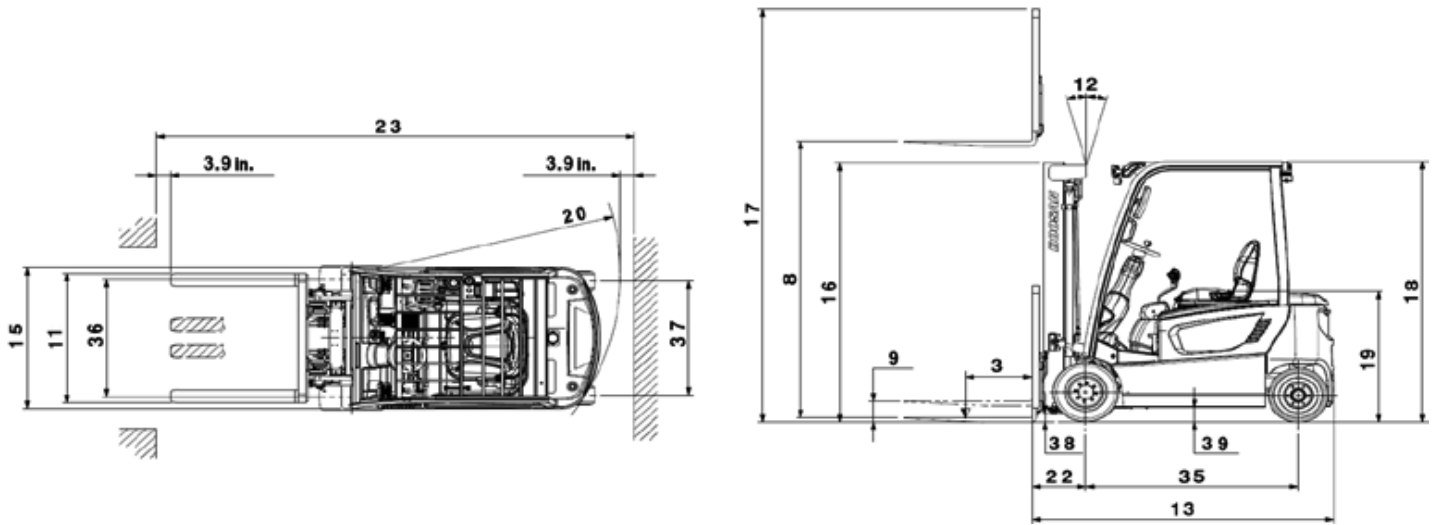
CHARACTERISTICS	1	Model			B15T-7	B18T-7	B20T-7		
	2	Load Capacity	at rated load center		lb(kg)	3000 (1500)	3500 (1750)	4000 (2000)	
	3	Load Center			in(mm)	24 (500)	24 (500)	24 (500)	
	4	Power type				AC Electric	AC Electric	AC Electric	
	5	Operator type				Driver Seated	Driver Seated	Driver Seated	
	6	Tire type	P= pneumatic, E= solid, C= cushion			C / SE*	C / SE*	C / SE*	
	7	Wheels (x = driven)	number of front/rear			x 2 / 1	x 2 / 1	x 2 / 1	
DIMENSIONS	8	Max. Fork Height	with STD 2-stage mast		in(mm)	130 (3300)	130 (3300)	130 (3300)	
	9	Free Lift			in(mm)	5.1 (130)	5.1 (130)	5.3 (135)	
	10	Fork carriage	ISO Class			II	II	II	
	11	Forks	Thickness x Width x Length		in(mm)	1.4 / 3.9 / 41.3 (35 / 100 / 900)	1.4 / 3.9 / 41.3 (35 / 100 / 900)	1.6 / 3.9 / 41.3 (40 / 100 / 900)	
			Fork Spacing (min. x max.)		in(mm)	9.5 / 35.6 (240 / 905)	9.5 / 35.6 (240 / 905)	9.5 / 35.6 (240 / 905)	
	12	Tilt of Mast	Forward / Backward		deg	5/7	5/7	5/7	
	13	Overall Dimensions	Length to Fork Face		in(mm)	74.4 (1891)	78.4 (1991)	79.9 (2029)	
	14		Overall Length		in(mm)	115.7 (2791)	119.7 (2891)	121.2 (2929)	
	15		Overall Width		in(mm)	42.9 (1090)	42.9 (1090)	42.9 (1090)	
	16		Mast Lowered Height		in(mm)	78.7 (2000)	78.7 (2000)	78.7 (2000)	
	17		Mast Extended Height		in(mm)	159.3 (4045)	159.3 (4045)	159.4 (4050)	
	18		Overhead Guard Height		in(mm)	79 (2010)	79 (2010)	79 (2010)	
	19		Seat Height		in(mm)	36.2 (919)	36.2 (919)	36.2 (919)	
	20	Outer Turning Radius		in(mm)	59.6 (1515)	63.6 (1615)	64.9 (1648)		
21	Inner Turning Radius		in(mm)	-	-	-			
22	Load Moment Center	Center of drive axle to fork face		in(mm)	14.8 (376)	14.8 (376)	15.0 (381)		
23	Right Angle Stacking Aisle Width (with Pallets & Clearance)	48" x 40" (1000 x 1200) Pallet		in(mm)	126.6 (3216)	130.5 (3316)	132 (3354)		
		48" x 31" (800 x 1200) Pallet		in(mm)	131.5 (3341)	135.5 (3441)	137 (3479)		
PERFORMANCE	25	Speed	Travel	Loaded / Unloaded	mph(km/h)	8.7/8.7 (14.0/14.0)	8.7/8.7 (14.0/14.0)	8.7/8.7 (14.0/14.0)	
			Lifting	Loaded / Unloaded	fpm(mm/s)	61/108 (310/550)	61/108 (310/550)	61/108 (310/550)	
			Lowering	Loaded / Unloaded	fpm(mm/s)	98/89 (500/450)	98/89 (500/450)	98/89 (500/450)	
	28	Max. Drawbar pull	Loaded at 1.0 mph		lb(kg)	2734 (1240)	2734 (1240)	2734 (1240)	
	29	Max. Gradeability	Loaded at 1.0 mph		%	24	23	22	
WEIGHT	30	Total weight	with min. weight of battery		lb(kg)	6821 (3094)	7072 (3208)	7910 (3588)	
	31	Axle Load	Loaded, Front / Rear		lb(kg)	8858 / 1269 (4018 / 576)	9673 / 1256 (4388 / 570)	10785 / 1534 (4892 / 696)	
			Unloaded, Front / Rear		lb(kg)	3362 / 3459 (1525 / 1569)	3439 / 3633 (1560 / 1648)	3688 / 4221 (1673 / 1915)	
CHASSIS	33	Tires	Size	Front		18x7x12.12	18x7x12.12	18x7x12.12	
			Rear		15x6x11.25	15x6x11.25	15x6x11.25		
	34	Wheel Base	Distance		in(mm)	52 (1323)	56 (1423)	57 (1446)	
	36	Tread Width	Front		in(mm)	35.5 (902)	35.5 (902)	35.5 (902)	
			Rear		in(mm)	7.8 (198)	7.8 (198)	7.8 (198)	
	38	Ground clearance	Loaded	at lowest	in(mm)	3.4 (86)	3.4 (86)	3.4 (86)	
				at center of wheel base	in(mm)	3.9 (100)	3.9 (100)	3.9 (100)	
40	Brakes	Service			hydraulic	hydraulic	hydraulic		
		Parking			auto-electric	auto-electric	auto-electric		
POWER TRAIN	41	Battery	Type			lead-acid	lead-acid	lead-acid	
			Voltage		V	36	36	36	
			Capacity (5 Hours Rating)	Nominal	BS type	AH	660	825	825
				Max.	BS type	AH	770	970	970
			Battery compartment sizes (W x L x H) Max.		Normal	in(mm)	20.8 x 39.1 x 27.5 (528 x 992 x 698)	25.1 x 39.1 x 27.5 (638 x 992 x 698)	25.1 x 39.1 x 27.5 (638 x 992 x 698)
					BS Type	in(mm)	20.8 x 39.1 x 27.5 (528 x 992 x 698)	25.1 x 39.1 x 27.5 (638 x 992 x 698)	25.1 x 39.1 x 27.5 (638 x 992 x 698)
	Weight (min/max)		lb(kg)	1543 / 2083 (700 / 945)	1764 / 2645 (800 / 1200)	2315 / 2645 (1050 / 1200)			
	42	Electric Motors	Drive motor rating at S2 60 minute		kW	6.0 x 2	6.0 x 2	6.0 x 2	
			Lifting motor rating at S3 15%		kW	14	14	14	
	43	Control Type	Drive and Hydraulic		type	AC	AC	AC	
44	Drive Axle	Brake type		type	ODB	ODB	ODB		
45	Relief Pressure	System		psi (kPa)	2550 (17600)	2880 (19860)	3125 (21550)		
		Attachment		psi (kPa)	2040 (14000)	2040 (14000)	2040 (14000)		
47	Hydraulic oil tank	Capacity		L	20	20	20		

*Optional (a) Superelastic Tires_18 x 7-8 (c) Superelastic Tires_200 x 50-10
(b) Superelastic Tires_15 x 4.5-8 (d) Superelastic Tires_16 x 6-8

DIMENSIONAL DRAWING - 3-wheel



DIMENSIONAL DRAWING - 4-wheel





Doosan Industrial Vehicle America Corp.
2475 Mill Center Parkway Suite 400
Buford, GA 30518
Tel: 678-745-2200 Fax: 678-745-2250
www.doosanlift.com

PSCBTBX7V2

AUTHORIZED DEALER